

D

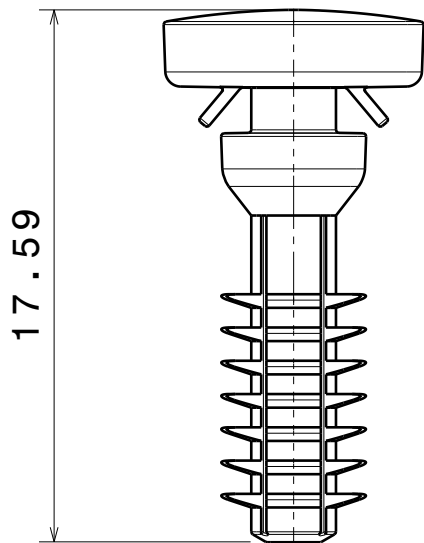
C

B

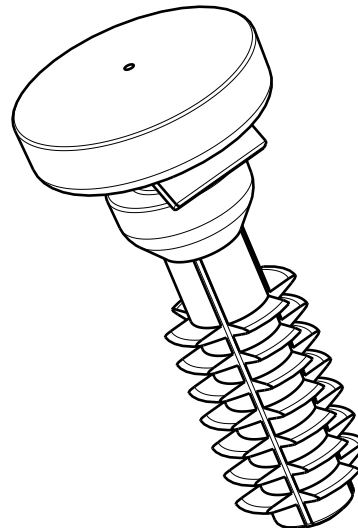
A

4

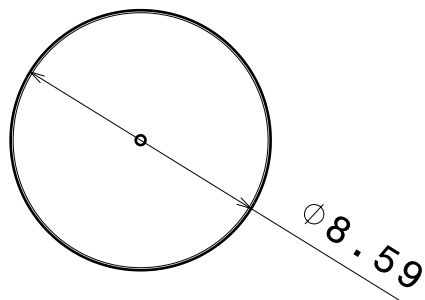
4



Front view



Isometric view



Top view

Notes:
 Incompatible with F14170_FLORENCE-ZT25
 Designed for M4 screw holes.

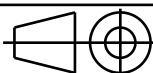
INDEX	PART NO	DESCRIPTION	MATERIAL	COLOUR
1	C14437	FLORENCE - PF - 3R	PA66GF30	grey

Tolerances if not otherwise shown
 According to DIN ISO 2768-1
 Linear measures:
 Up to 30mm class M, otherwise class C.
 According to DIN ISO 2768-2
 Form and position: class L

LEDiL

Ledil Oy
 Salorankatu 10
 FIN 24240 SALO
 Finland

THIRD ANGLE PROJECTION:



DRAWING TITLE

C14437_FLORENCE - PF - 3R

This drawing is the property
 of LEDiL Oy. It may not be
 reproduced, copied or
 communicated without a written
 agreement with LEDiL Oy.

SIZE	PART NUMBER
------	-------------

A4

C14437

SCALE	4:1	WEIGHT	0,37 g	SHEET	1/1
-------	-----	--------	--------	-------	-----

D

A

1

1